



SIROMER Equipment

Your Tractor's Best Friend

Finger Bar Hedge Trimmer

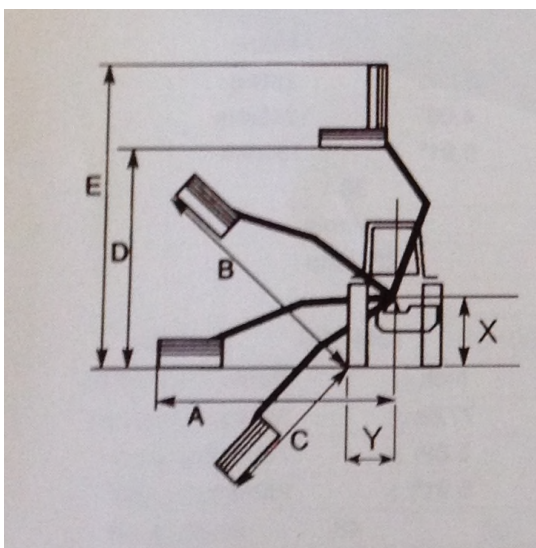


Siromer's Finger Bar Hedge Trimmer is designed to fit industry standard CAT I linkages and will fit the following Siromer Tractors 204S, 304, 204E, 244E, 354E.

Siromer's high reach trimmer is PTO driven and fitted with its own hydraulic pump and 40 liter hydraulic tank, which means there are no additional hydraulic requirements.

The trimmer is capable of cutting on top of a 1.8m hedge with a 2.5m Reach and 1.3m Head.

The finger bar head can be interchanged with a flail head.



Specification	
Structure Weight	275kg
Cutting Width	1300mm
Blade Type	Knife Blade
Number of Knives	19
Oil Capacity	55L
PTO Speed	540r/min
Tractor HP	20-35hp
Hard Wood	Max: Φ 1 cm
Soft Wood	Max: Φ 2 cm
A	3330mm
B	2720mm
C	1400mm
D	1880mm
E	3500mm
X	800mm
Y	600mm

Tel: 01253 799 029
Fax: 01253 790 006
Web: www.siromer.co.uk

Specification subject to change without notice.
 Information is for guidance only.